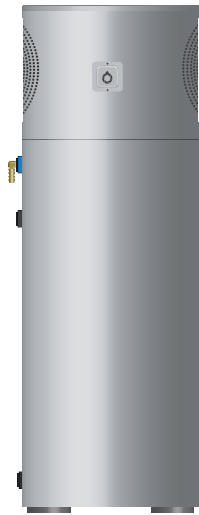


PLUMBER'S CONDENSED INSTALLATION GUIDE



HYDROTHERM UNIT

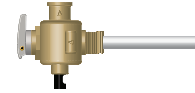
SUPPLIED CONTENTS



CONDENSATE
DRAINAGE
ELBOW (connected)



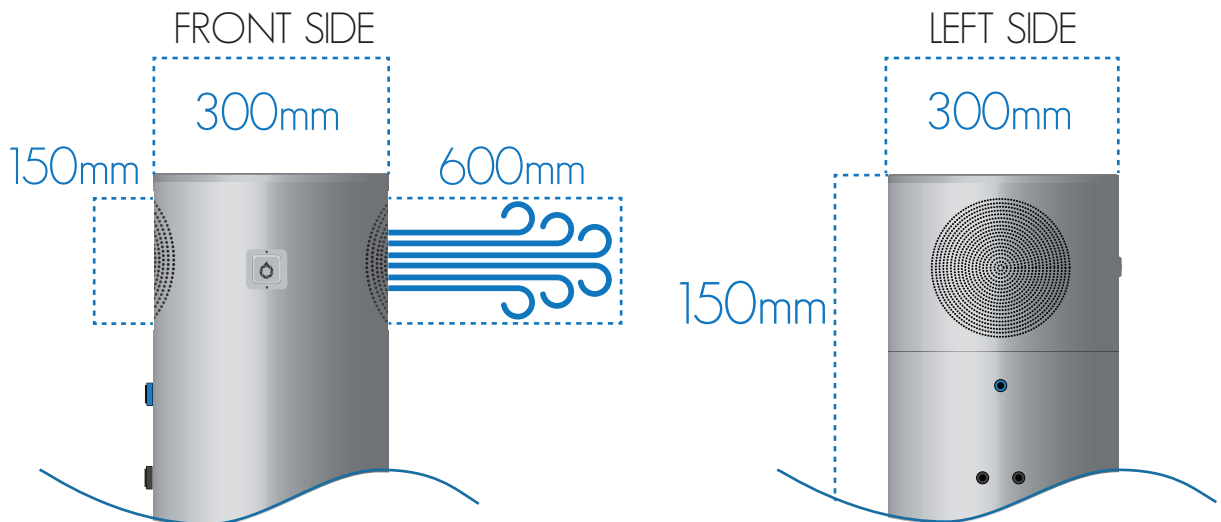
OWNER'S
MANUAL



PTR

1. LOCATION SELECTION

Clearance Requirements

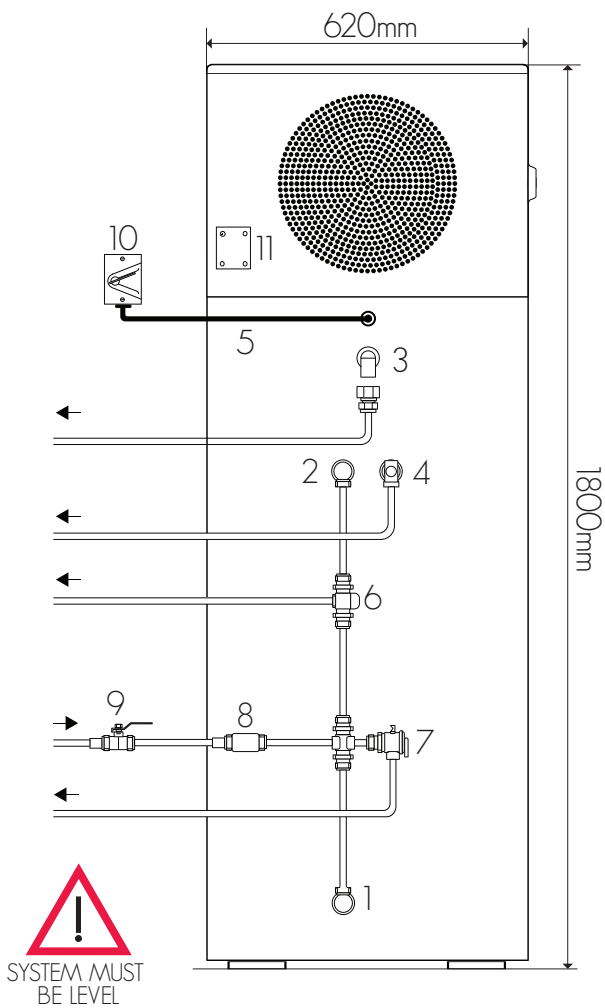


- This unit is designed for external operation only and requires a continuous supply of air to operate efficiently.
- Avoid installation in areas where falling debris, such as leaves, is prevalent as this may result in air vents being blocked or the unit being damaged.
- Avoid placing the system in locations with multiple walls or structures.
- Always maintain optimum perimeter from all structures.

2. BASE

- The unit should be installed on a concrete plinth or stable structure capable of sustaining weights in excess of 450kg.
- A minimum dimension of 600mm x 600mm is required. Please ensure that all four feet are supported by the base being used otherwise warranties may be voided.
- The system is to be installed level to ensure that the condensation drainage is not impaired.

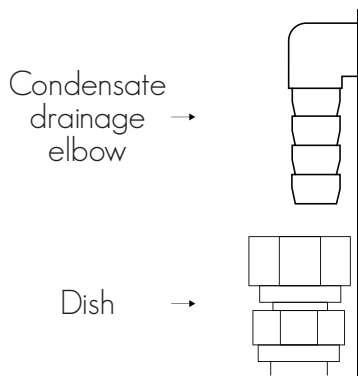
3. PLUMBING CONNECTIONS



1. Cold water supply outlet (3/4" female thread)
2. Hot water outlet (3/4" female thread)
3. Condensate drainage elbow*
4. PTR relief valve* (1/2" female thread 850kPa)
5. Electrical cable
6. Tempering Valve (high performance recommended)
7. ECV (if required by council - 700kPa)
8. Pressure Reduction Valve (PRV - 500kPa)
9. Non-return Isolation valve
10. Electrical access (50mm min.)
11. Electrical access dish (50mm min.)

*Supplied with system

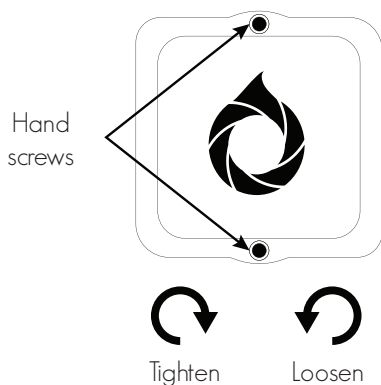
4. CONDESATION DRAINAGE



5. BLEEDING THE SYSTEM

Ensure at least one hot water tap is open inside the property. While the system begins filling with water, you will hear air being expelled from the open hot water tap. This ensures that no air pockets remain. Once water begins running out of the hot water tap, the system is completely bled and you can then turn the tap off.

6. TURNING THE UNIT ON



1. Remove Stainless Steel cover by simply loosening hand screws.
2. Unlock the screen by pressing the POWER button once.
3. Press and hold the POWER button for 3 seconds until the SUN symbol flashes.
4. Return screen cover back onto unit after setting clock